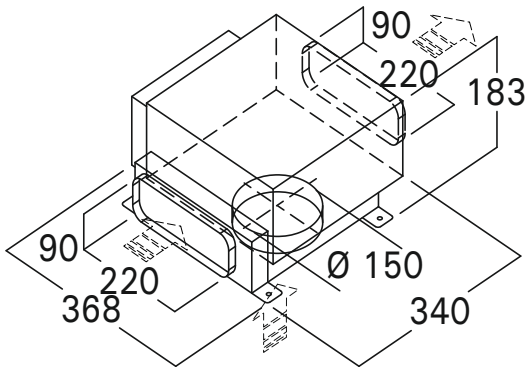


Cooker Hood Motor Powerful - 1000m³/hr



Technical Features

Airflow	1000 (m ³ /h)
Pressure	480 (Pa)
Noise level	66 (lw[dba])
Motor power	145 (w)
Inlet / Outlet (mm)	220x90 / Ø150

MODEL CODES

LA-60-ANZI-BR

LA-90-ANZI-BR

LA-60-TOLVI-BR

LA-90-TOLVI-BR

LA-120-TOLVI-BR

LA-90-SYNERGY

LA-90-CAPORRA

LA-120-CAPORRA

